

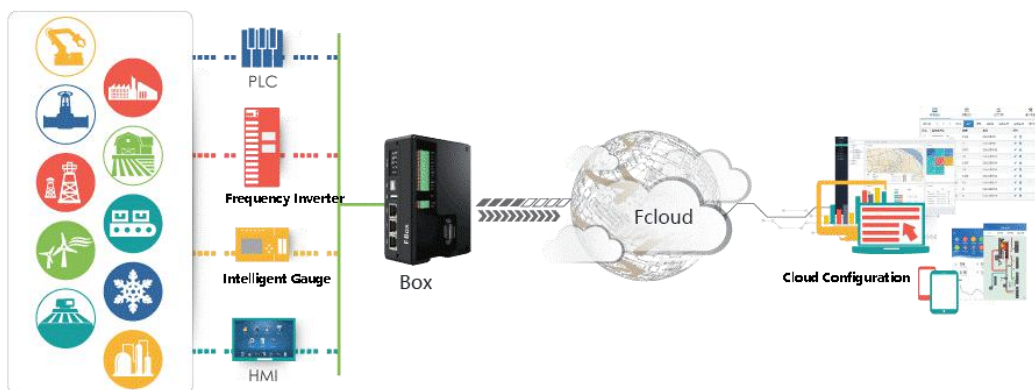
Flexem IIoT Terminal FBox-WiFi



- 350+ industrial protocols connection, and it supports most industrial devices connection.
- Local data analysis can be finished and pushed to cloud server.
- It supports Flexem remote managing tool, remote equipping and diagnosis.
- It supports historical data local cache.
- It supports edge calculation, and you can realize data calculation locally.
- It supports PLC program uploading, downloading and monitoring.
- It supports WiFi, internet etc.

Products Overview

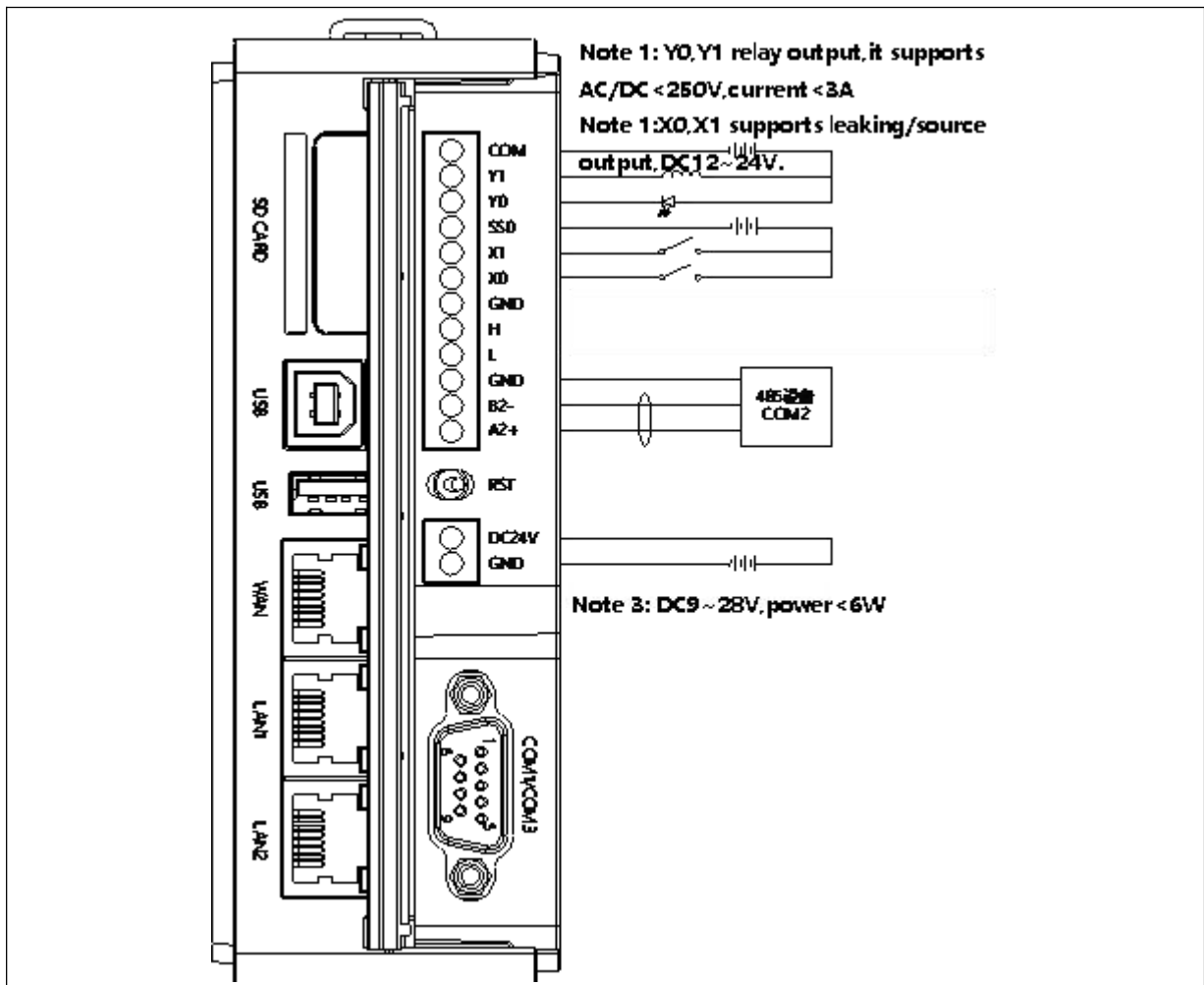
FBox series products are local intelligent data collection terminals of industrial IIoT platform pushed by Flexem, which can realize on-site devices remote data collection, remote downloading and maintenance. It supports over 350 industrial devices drives protocols, various communication connections to most industrial controller devices. It supports variable internet ways and Flexem cloud server, and you can realize remote equipping, diagnose and managing functions.



Specifications

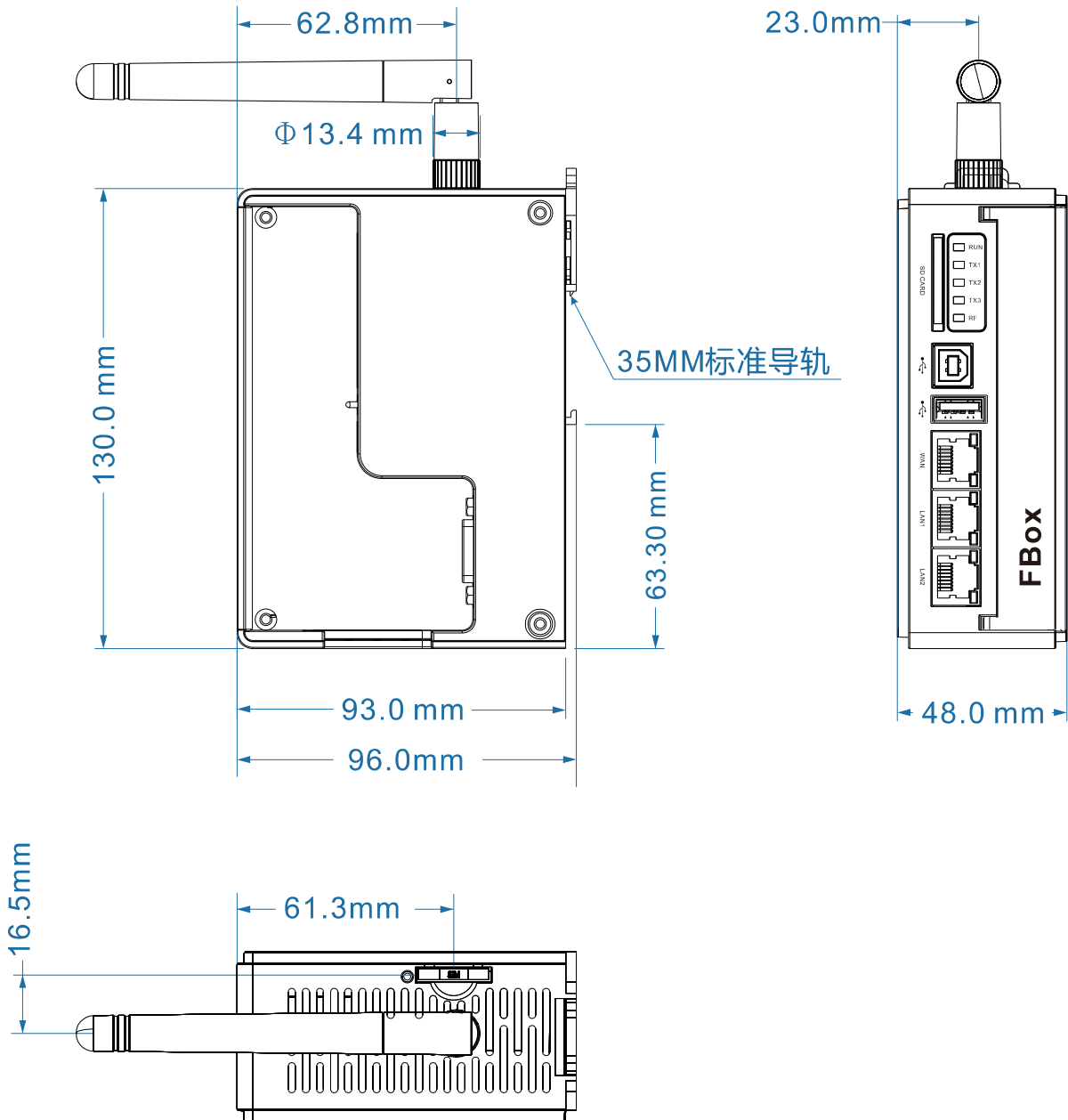
Hardware	Ethernet	Ethernet, WiFi
	CPU	600MHz ARM Cortex-A8
	Storage	128MB Flash + 128MB DDR3
	Ethernet	3 lines of 10M/100M Ethernet Port
	SD Card Port	Available
	USB Port	1 USB Device 2.0,1 USB Host 2.0
	IO Port	2-line optoelectronic isolated digital input, 2-line relay output (Maximum 5A)
	Serial Communication Ports	COM1: RS232/RS485/RS422 COM2: RS485 COM3: RS232
	WiFi	IEEE 802.11b/g/n compatible WLAN IEEE 802.11e QoS Enhancement (WMM)
	RTC	Built-in
Electrical Specifications	Rated Power	< 5W
	Rated Voltage	DC24V,working range: DC 9V~28V
	Power Protection	Protect from thunder strike and surging
	Power Loss Permit	< 3mS
	CE & RoHS	It is complied with EN61000-6-2:2005,EN61000-6-4:2007, RoHS, Surging:±1KV,Group pulse:±2KV, Electro Static 4KV,Air Discharge: 8KV
Environment Specifications	Working Temperature	-10~60℃
	Storage Temperature	-20~70℃
	Environment Humidity	10~90%RH (non condensation)
	Anti-vibration	10~25Hz (X/Y/Z direction 2G/30 minutes)
	Cooling	Natural cooling
Mechanic Parameters	Dimension	130mm*94mm*48mm (without arial)
	Weight	About 400g
	Material	ABS engineering plastics
Software Parameters	VPN Pass-through	Available
	Data Monitoring	300 points, it supports timing uploading or variable uploading.
	Alarming Push	100 points, it supports clients push, SMS push (20 items free everyday), wechat public NO push.
	Historical Data	30 points, it supports offline transfer, each point can store 50000 items when offline, and the data can be kept for 90 days
	Edge Calculation	It supports scripts programming.
	Network Protocols	It supports over 100 industrial devices protocols.
	Managing& Maintenance	It supports firmware upgrading remotely, and equipping files lead in/out

Wiring Definition



	Pin1	Rx-(B) (COM1 RS485-2/4)
	Pin2	RxD_PLC (COM1 RS232)
	Pin3	TxD_PLC (COM1 RS232)
	Pin4	Tx- (COM1 RS485-4)
	Pin5	GND
	Pin6	Rx+(A) (COM1 RS485-2/4)
	Pin7	RxD_PC/PLC (COM3 RS232)
	Pin8	TxD_PC/PLC (COM3 RS232)
	Pin9	Tx+ (COM1 RS485-4)

Size



Contact us

Shanghai (R&D Center)

Address: Floor 11, Block B, INNO
Center, No.298, Guoxia Road
Yangpu District, Shanghai

Telephone: +86-21-68683993

Fax: +86-21-65107569

Suzhou

Address: Room 505, Ricky Building,
No.668,Yuting Avenue,Suzhou
Industrial Park

Telephone: +86-512-69833996

Shenzhen (Factory)

Address: 5th Floor, NO.2 Building,
Lanyun Science Park, Tangtou
Road, Shiyan Town, Baoan
District, Shenzhen, China

Telephone: +86-755-27610682

Fax: +86-755-27629895

Wuxi

Address: Room 1603, Taihu
Mingzhu Development
Building, No. 1890 Taihu
West Road, Binhu
District, Wuxi City

Telephone: +86-18505101982

Beijing

Address: Room 2008, Building 1, No. 93
Jianguo Road, Chaoyang
District, Beijing (Wanda Plaza)

Telephone: +86-10-58204608

Fax: +86-10-58204608

Hangzhou

Address: Floor 1, Unit LEO, Block 5,
Singapore Science Park,
Road 6th, Xiasha Economic
Development Zone,
Hangzhou